

NOTE

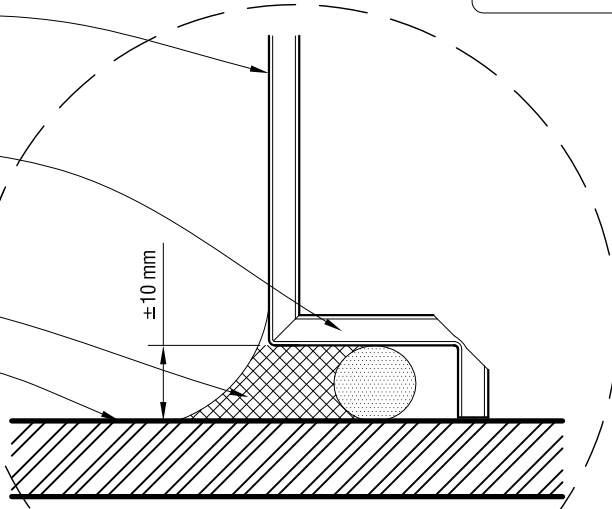
This detail can only be used where the panel can be slid over the RHS or SHS pipe

04 ALUCOBOND by KANEBA

Serrated standard ALUCOBOND leg by KANEBA

05 Sealant on P.E.F. Rod by KANEBA

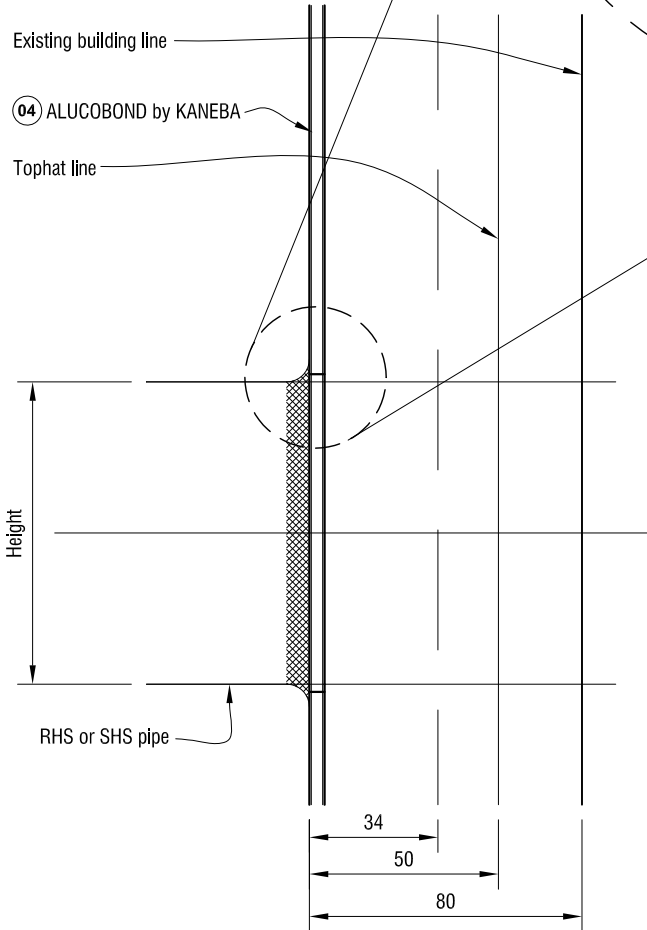
RHS or SHS pipe



Existing building line

04 ALUCOBOND by KANEBA

Tophat line



RHS or SHS pipe

34

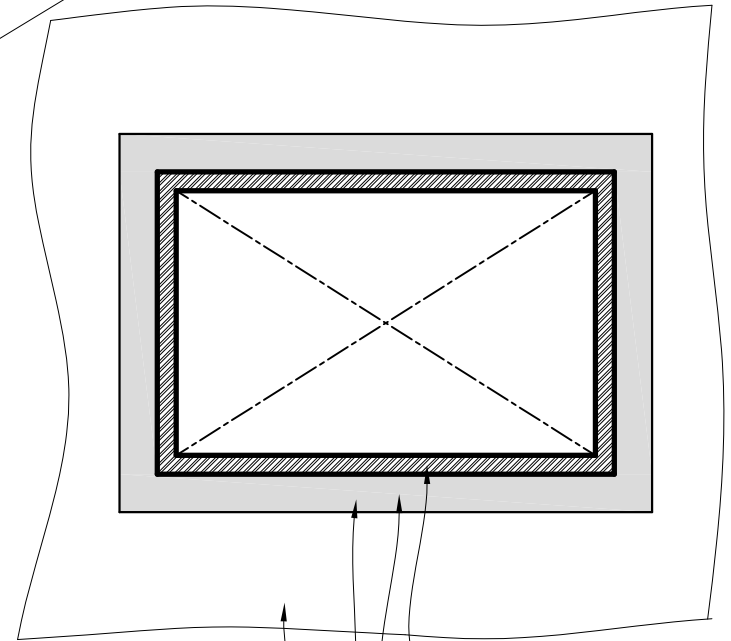
50

80

OUTSIDE

SIDE ELEVATION

INSIDE



04 ALUCOBOND by KANEBA

RHS or SHS pipe

Serrated standard ALUCOBOND leg by KANEBA

05 Sealant on P.E.F. Rod by KANEBA

BACK ELEVATION

NOTE

- (XX) Notations for these references are available in Section 12 of the Alucobond Fixed Cassette System Manual.

	DRAWING TITLE	NOTES:	DRAWING STATUS	
	<p>STANDARD PENETRATION (RHS OR SHS PIPE SECTION)</p>	<p>THIS DRAWING FORMS PART OF AND MUST BE READ WITH THE ALUCOBOND FIXED CASSETTE SYSTEM MANUAL.</p>	<p>ARCHITECTURAL RESOURCE</p>	<p>SHEET NO. 37</p> <p>ISSUE C</p>
<p>KANEBA LIMITED, P.O.Box 303 388, North Harbour, Auckland, 9-11 Rothwell Avenue, Rosedale, Auckland, New Zealand, Telephone 09 926 2297, Facsimile 09 926 1444, Web Site www.kaneba.co.nz</p>		<p>DRAWN BY: JG</p>	<p>SCALE: 1:2</p>	<p>DATE: MARCH 2013</p>